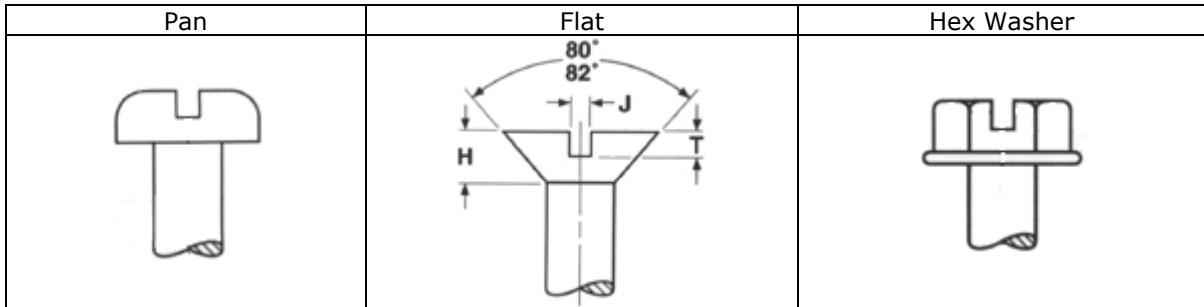
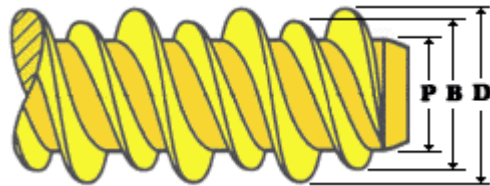


Hi/Low Screws



Phillips Pan Zinc = TPPHL010-----Z1 Hex Washer Zinc = TWHL010-----Z1
 Phillips Flat Zinc = TPFHL010-----Z1 Hex Slot Washer Zinc = TSWHL010-----Z1



Nominal Size	D		B	P	Pilot Hole Diameter		Protrusion Above Gaging Diameter
	High Thread Diameter	Low Thread Diameter	Point Diameter	Flexural Modulus of Plastic			
					Up to 200,000 PSI	200,000-400,000 PSI	Minimum Torsional Strength (Lbb In)
2-32	.084-.090	.069	.050-.058	.0670	.0700	4	
4-24	.105-.115	.086	.061-.070	.0810	.0860		
6-19	.135-.145	.108	.080-.090	.1015	.1100		
8-18	.160-.170	.130	.095-.105	.1200	.1285	18	
10-16	.185-.195	.145	.099-.110	.1360	.1440	30	
12-16	.210-.220	.167	.125-.137	.1570	.1660	39	
1/4-15	.250-.260	.200	.161-.175	.1890	.2010	56	